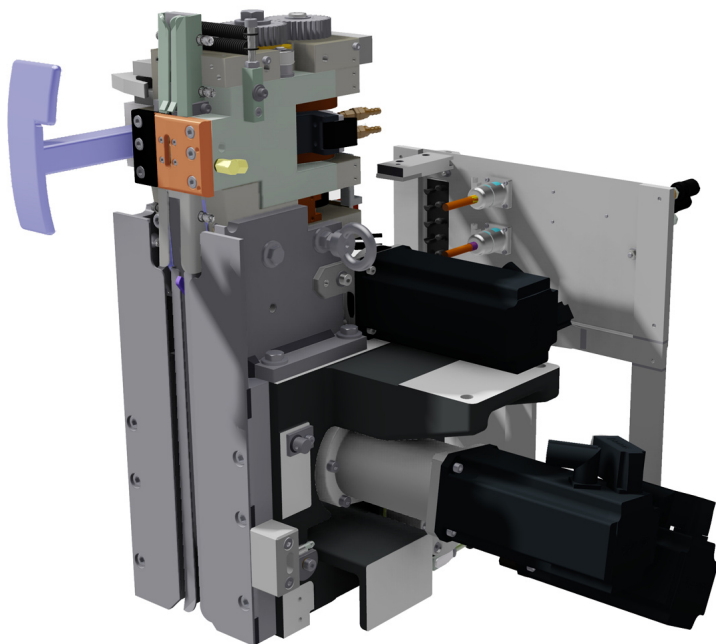
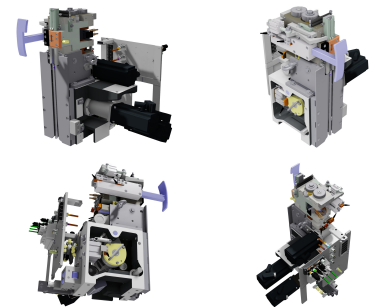


## VS32-LE



### Contact

Jutta Geurtz  
+49 2336 808 364  
jgeurtz@titan-schwelm.de



### In top shape over 30

When speaking of „over 30“, TITAN usually refers to the strap width not the age. The VS32-LE heads are capable of processing steel straps up to 32 mm wide. Depending on the requirement, 19 or 25 mm are also possible.

This means that the VS32-LE series is suitable for heavy-duty strapping applications and applications requiring straightforward functionality, shortest strapping cycles and efficient cost management. These are all factors in which the VS32-LE heads hit the bull's eye. It is possible to control the transport speed of up to 2.5 m per second and the tensioning force of up to 20,000 N very precisely. Highest precision is also required in joining: Two welding spots according to the non-contact TIG welding process hold together what belongs together, even with the largest dimensions and enormous weight.

The special version VS32-LE-R has a smaller base plate and can therefore secure circular packages from 700 mm. Modern drive technology with innovative servo drives makes the VS32-LE heads fit for the future.

### Technical Data

Kind of drive	Electric
Tension force	4,000 - 20,000 N (adjustable)
Mains voltage	400 V AC / 50 Hz
Control voltage	24 V
Welding voltage (TITANARG®)	400 V ; 460 V

Strap conveying speed	approx. 2.5 m/s approx. 8.2 ft/s
Dimensions	680 x 630 x 750 mm (L x W x H) 26.8 x 24.8 x 29.5" (L x W x H)
Weight	200 kg 440.9 lb
Air pressure	min. 5 bar max. 6 bar
Cross-section	1/4"

### Strap/Joint

Type of strap	Steel strap
Strap	Automatenband MEGABAND®
Strap width	19, 25, 32 mm 3/4" ; 1" ; 1 1/4"
Strap thickness	0.80 - 1.00 mm 0.031 - 0.039" 0.80 mm 0.031"
Kind of seal	TIG welding joint
Sealing strength (depending on strap quality, strap dimensions)	up to 85% of the strap breaking load

### Minimum bearing area

Expansive package	180 mm 7.1"
Slit coil ring	180 mm 7.1"
Round package	Ø 800 mm Ø 31.5"

### Application

Light-duty strapping applications; for strapping of slit coils, sheet packages, bricks, structural timber, bundles of profiles, etc.